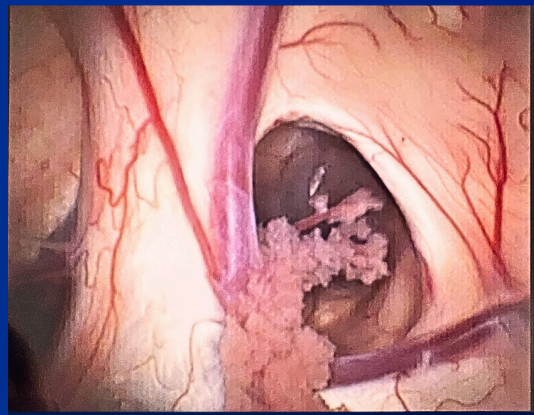




# NEW DIGITAL ClarusScope Neuroendoscopy System

- HD Image
- Single-Use
- Simple Setup
- Lightweight
- Prefocused
- Small Diameter



## Plug and View

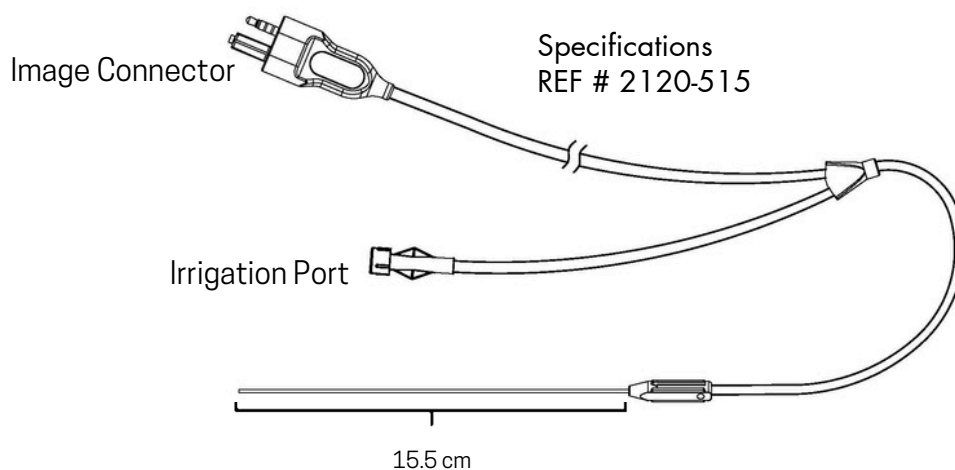


# Digital NeuroPEN

## SINGLE-USE DIGITAL NEUROENDOSCOPES

### Designed for Ventricular Catheter Placement

- 1.1mm Diameter Endoscope
- HD Full Monitor Image
- Real Time Confirmation of Ventricular Catheter Placement
- Irrigation Channel Preserves Clear Line of Sight

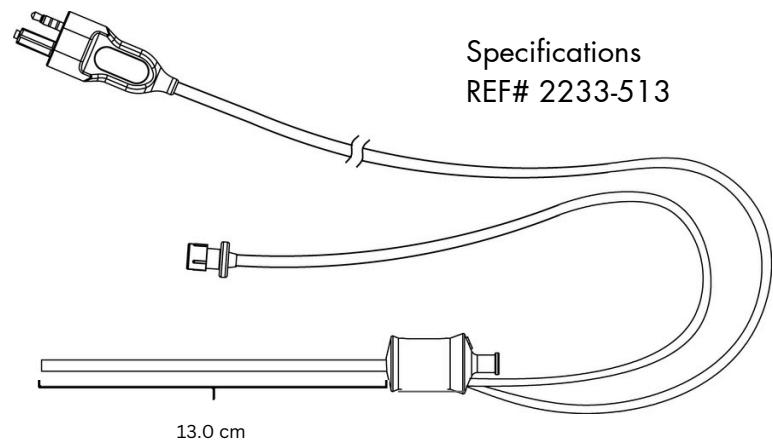
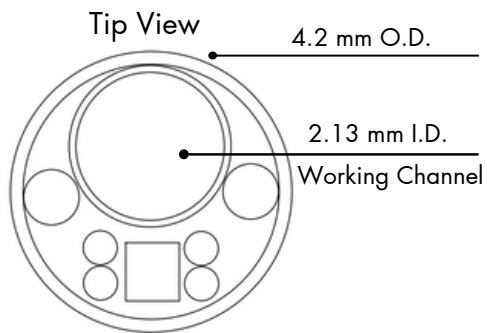


# Digital ChannelScope

## Minimize Cross Contamination Risk

### Designed for Intraventricular Surgery

- Lightweight design makes scope easier to hold and manipulate
- 4.2 mm outer diameter
- 2 mm working channel
- 120 degrees field of view
- Combined light/camera cord reduces bulk and imbalance

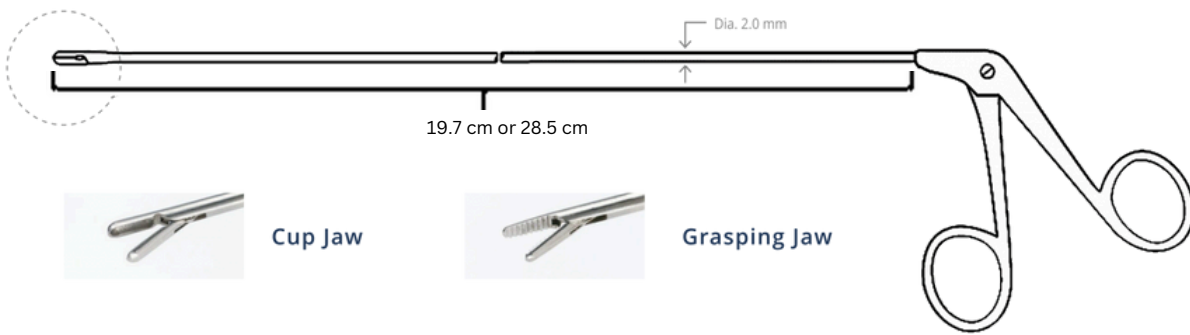


# Accessories



REF # 5190-500  
Digital Control Module

- Adjustable LED Light Source
- Image Processor
- HDMI Output Connects to Any Monitor
- NO Reprocessing Needed



Cup Jaw



Grasping Jaw



Bipolar Pencil



REF # 1305-014  
Peelaway Introducer Sheath, 14 FR

REF #	DESCRIPTION
3221-002	Forceps, Cup 2 mm, 19.7 cm Long
3220-002	Forceps, Cup, 28.5 cm Long
3241-002	Graspers, 2.0 mm, 19.7 cm Long
3240-002	Graspers, 2.0 mm 28.5 cm Long
14-7017S	Bipolar Pencil, 19.7 cm
14-7018S	Bipolar Pencil, 30 cm
1305-014	Peelaway Introducer Sheath

For more information:

[www.clarus-medical.com](http://www.clarus-medical.com) | 763.525.8403 | [admin@clarus-medical.com](mailto:admin@clarus-medical.com)