



NEUROENDOSCOPY

W H E N P R E C I S I O N M A T T E R S



ChannelScope



NeuroPEN

SINGLE-USE NEUROENDOSCOPES

VISUAL CONFIRMATION • EASY TO USE

NeuroPEN

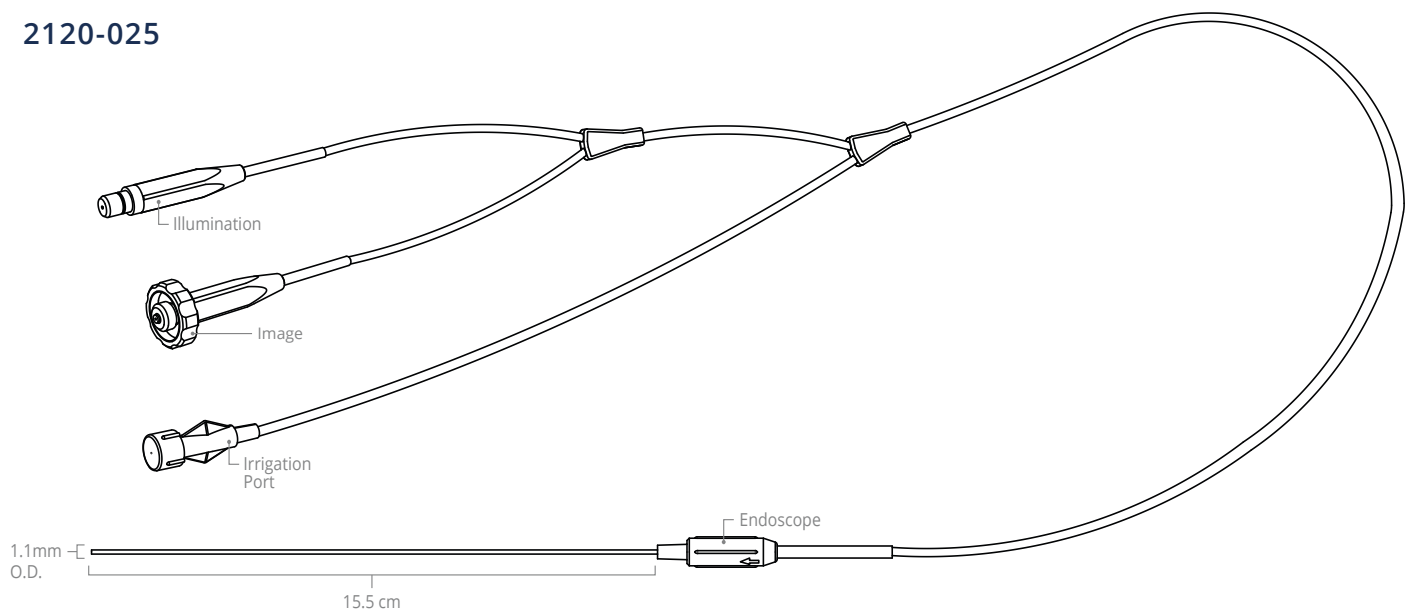
Designed for ventricular catheter placement.

- Stylet handle enables unencumbered placement of ventricular catheters away from the choroid plexus and other anatomical structures.
- Irrigation channel maintains clear field of view.
- Small 1.1mm diameter endoscope.



Specifications

2120-025



MODEL

DESCRIPTION

2120-025

NeuroPEN, 15.5 cm Shaft

MINIMIZE CROSS CONTAMINATION RISK

LIGHTWEIGHT • COST EFFECTIVE

ChannelScope

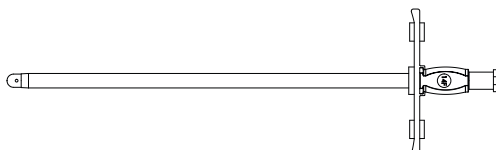
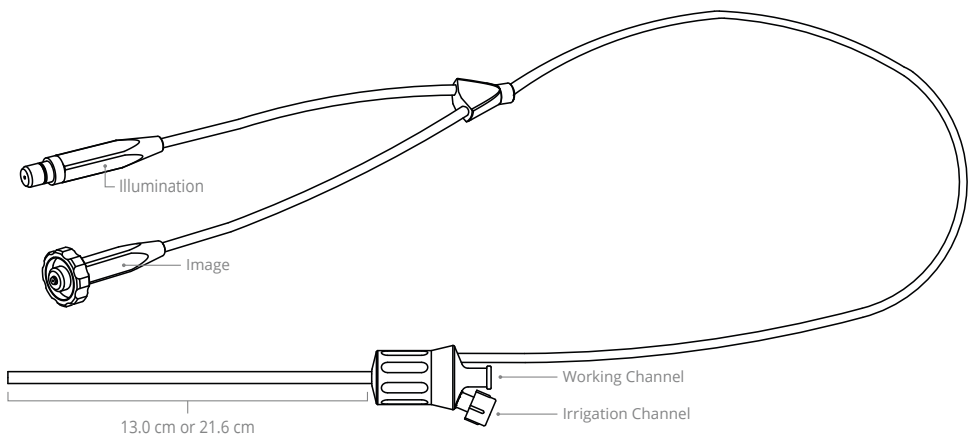
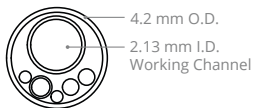
Designed for intraventricular surgery.

- Lightweight design removes the bulk and weight of the camera away from the hand.
- High resolution endoscopes with 30,000 pixel fibers provide consistent, high-quality imagery.
- The fiberoptic design permits the endoscope to be held in a retractor arm with minimal risk of damage to the optics.
- Single use endoscopes eliminate costs associated with reprocessing or repair.



Specifications

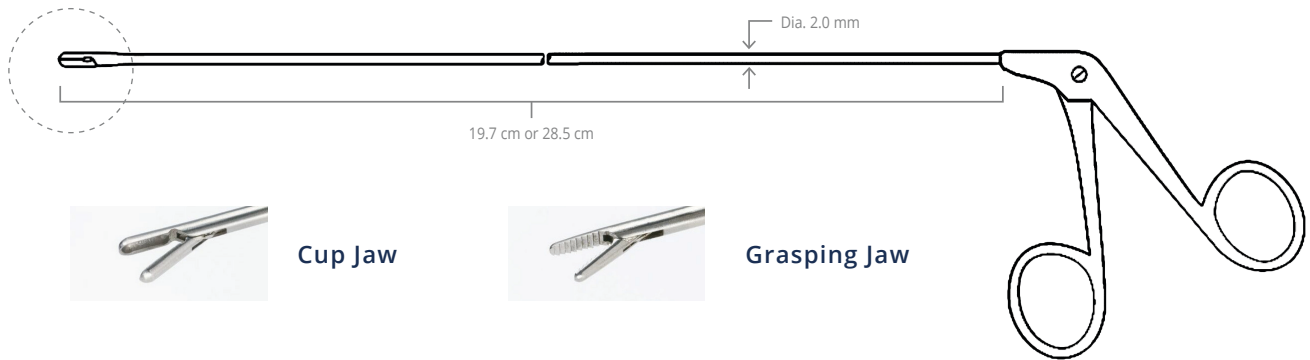
Tip View 2233-005 and 2233-002



14 FR Peelaway Introducer Sheath
(Needed for 2233-002 or 2233-005)

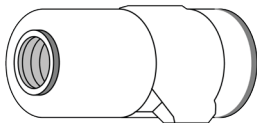
MODEL	DESCRIPTION
2233-002	30K ChannelScope, 21.6 cm Shaft, WC Diameter 2 mm
2233-005	30K ChannelScope, 13 cm Shaft, WC Diameter 2 mm
1305-014	Peelaway Introducer Sheath, 14 FR, 5-Pack

ACCESSORIES

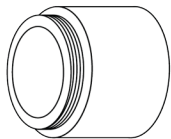


MODEL	DESCRIPTION
3221-002	Forceps, Cup, 2 mm, 19.7 cm Long
3220-002	Forceps, Cup, 2 mm, 28.5 cm Long
3241-002	Graspers, 2.0 mm, 19.7 cm Long
3240-002	Graspers, 2.0 mm, 28.5 cm Long

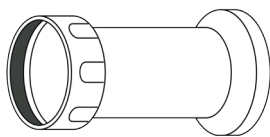
Video Adapters



Optical Coupler
REF No. 5189-001



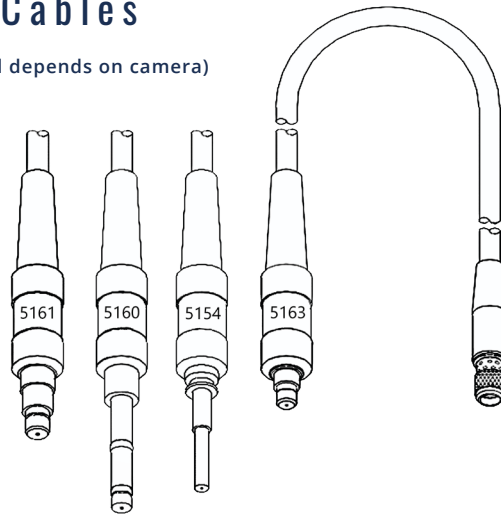
Expansion Ring
REF No. 5189-901



Eyepiece
REF No. 5188-001

Light Cables

(Type needed depends on camera)



MODEL	DESCRIPTION
5154-100	Light Cable, ACMI-Storz, 1 mm
5160-100	Light Cable, ACMI-Olympus, 1 mm
5161-100	Light Cable, ACMI-Wolf/Dyonics, 1 mm
5163-100	Light Cable, ACMI-ACMI, 1 mm